

lumenline

RGB LED Controller Installation Instructions Model: LL400M-RGB

PLEASE READ THESE INSTRUCTIONS CAREFULLY BEFORE INSTALLING
LEAVE A COPY FOR THE USER / MAINTENANCE ENGINEER FOR FUTURE REFERENCE

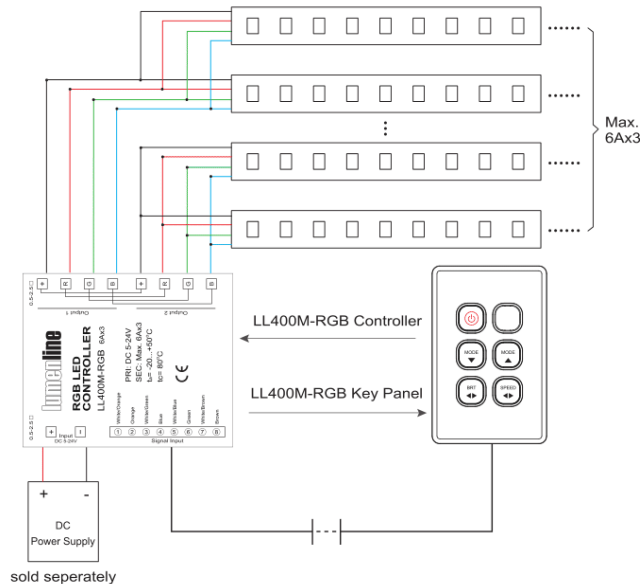
Product Features

- Designed for RGB LED common anode.
- Built-in 18 pre-set mode functions plus adjustable brightness & speed functions.
- Independent control of RGB three channels to create full colour control. Each channel has a maximum output current of 6A.
- Adjustable 256 grey scale for fine and smooth change of colour.
- Static control of colour and brightness: 16 steps for each RGB channel, i.e. 4096 different colours.
- In conjunction with power repeaters, control can be extended indefinitely.
- Wall mounting facet to allow easy access and user friendly control.
- Two outputs electrically connected internally.

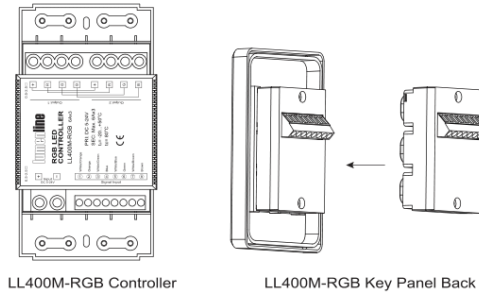
Technical Specifications

Input/output voltage	5-24V DC(Auto-Switch)
Max output current	6A/CHANNEL x 3 CHANNEL
Max output power at 24V	(24V x 6A) x 3CH = 432W
Working temperature	-20°C --- +50°C
Fixing centre	123.5mm
Dimensions LxWxH	Controller: 145x80x30mm

Wiring Diagram



Installation Instruction



TERMINAL #	Wire Colour
1	White / Orange
2	Orange
3	White / Green
4	Blue
5	White / Blue
6	Green
7	White / Brown
8	Brown

Installation instructions

Installation of LL400M-RGB Controller

- Connect the +, - wires from DC Power Supply and the "+", "R", "G", "B" of the LED Strip to the matching terminals on the LL400M-RGB Controller as per wiring diagram.
- Lock the 8 cord network cable (CAT-5) onto the relevant ports at the K400M RGB Controller. (See table above for details) (RJ45 Pin# should be matching with the wire colour)
- Secure the LL400M-RGB Controller.

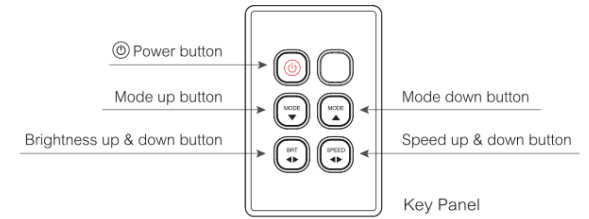
Installation of LL400M-RGB Key Panel (Only Compatible with Clipsal 6 Gang Switch)

- Fit the LL400M-RGB Key Panel properly into the inner layer of the Switch.
- Lock the other end of the 8 cord network cable (CAT-5) onto the ports of the LL400M-RGB Key Panel (please refer to the table for details).
- Firmly secure the inner layer of the Switch and its base. Cover the Switch. Please ensure the terminal number on the LL400M-RGB Controller is connected to the exact match terminal number on the LL400M-RGB Key Panel.

Instruction manual

- The LED power-on state will be the same as the last power-off state.
- If there is no output after plugging in the power, press the POWER key or any key. - To set the current mode to the brightest, hold down the BRT > = for 3 seconds. - To set the speed of the current mode at the default speed, hold down the SPEED > = for 3 seconds, then the current mode (must be at dynamic model) is at its default speed of change.

Key Note



Mode Functions

No.	Style	Remarks
1	Static red	Brightness adjustable
2	Static green	Brightness adjustable
3	Static blue	Brightness adjustable
4	Static yellow	Brightness adjustable
5	Static purple	Brightness adjustable
6	Static cyan	Brightness adjustable
7	Static white	Brightness adjustable
8	3-colour skipping (RGB)	Brightness and speed adjustable
9	7-colour skipping (red, green, blue, yellow, purple, cyan, white)	Brightness and speed adjustable
10	White colour strobe	Brightness and speed adjustable
11	3-colour smooth (RGB)	Brightness and speed adjustable
12	Full colour smooth	Brightness and speed adjustable
13	RG colour smooth	Brightness and speed adjustable
14	RB colour smooth	Brightness and speed adjustable
15	GB colour smooth	Brightness and speed adjustable
16	White colour fade & change	Brightness and speed adjustable
17	Demo	MODE 8-16
18	RGB static dimming	16 levels of brightness per RGB

Important Notes

- Please ensure to disconnect with power supply before installing.
- Make connections between controller, DC power, RGB LED strip as per wiring diagram.
- Refer to specifications of applicable RGB LED strip when in use.

Colour Range Notes (Essential information)

- Selection of Static colour is from MODE 1-7 selection only
- Mode 8 - 18 cannot be paused, but can be dimmed or speed controlled
- Alternate master controllers are available and can be used together with LL200S-RGB please call you local agent to discuss your exact requirements in detail.